



Mate NEXT™ Insert Tooling System For Trumpf Style Presses

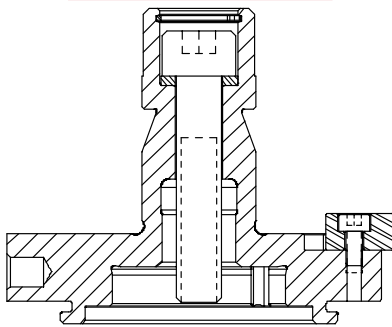


The new NEXT™ Insert Tooling System for Trumpf style presses, is designed to dramatically increase tool life and reduce punching costs.

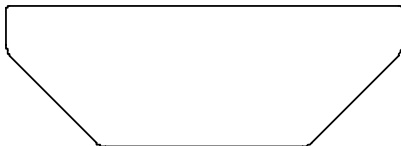
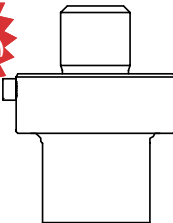
The NEXT™ Insert Tooling System includes • Interchangeable, abrasion resistant, punch inserts • Two sizes of insert punch holders with precision orientation features • Precision ground shims which return the punch insert to the original length after 0.118(3.00) has been removed during regrinding.

Size 40

0.80-40.00mm
0.031-1.575



M4 HSS
0.031-1.181
(0.80-30.00)



NEXT™ Insert Tooling System holders, with integral precision alignment features and captive draw bolt accept interchangeable punch inserts for faster and more accurate machine set-ups.

Available in two sizes.

Size 40 0.031-1.575(0.80-40.00)

Size 76 1.576-3.000(40.01-76.20)

Precision ground punch shim returns the NEXT punch assembly to the original length after 0.118(3.00) has been removed during routine regrinding.

M4 HSS from 0.031(0.80) to 1.181(30.00)
M2 HSS from 1.182(30.01) to 3.000(76.20)

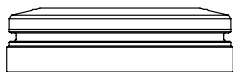
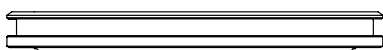
High speed steel (HSS) NEXT punch inserts provide superior abrasion resistance to extend the interval between regrinds.

Push-On urethane stripper for Size 40 punch insert holders, provides positive stripping, without sheet marking.

The NEXT™ Insert Tooling System is fully compatible with existing strippers and dies.

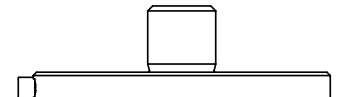
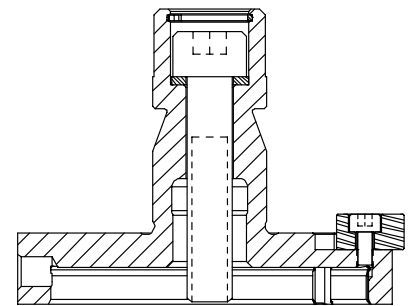
High strength steel strippers for reliable operation.

High wear resistant steel dies for exceptional tool life.



Size 76

40.01-76.20mm
1.576-3.000





mate.com

MATE PRECISION TOOLING

United States

1295 Lund Boulevard • Anoka, Minnesota 55303
Phone 763.421.0230 • 800.328.4492 • Fax 763.421.0285 • 800.541.0285